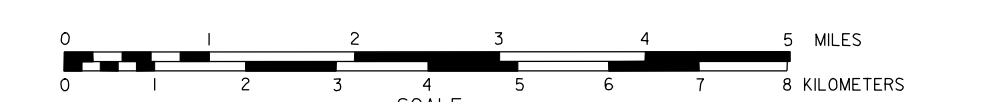


GENERAL HIGHWAY MAP SEWARD COUNTY NEBRASKA

PREPARED BY THE
DEPARTMENT OF ROADS
GIS/MAPPING SECTION
IN COOPERATION WITH THE
U.S. DEPARTMENT OF TRANSPORTATION
FEDERAL HIGHWAY ADMINISTRATION

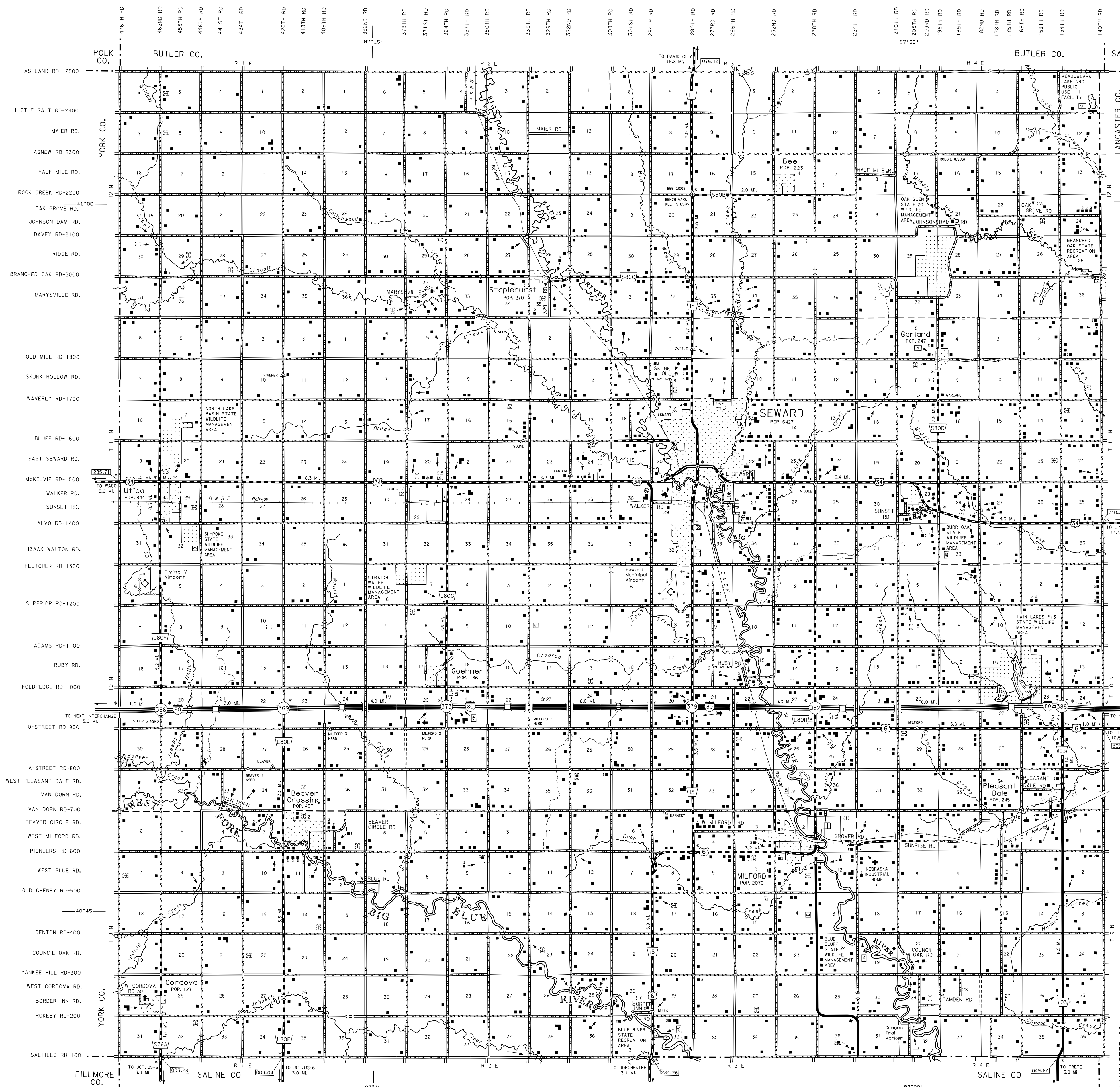
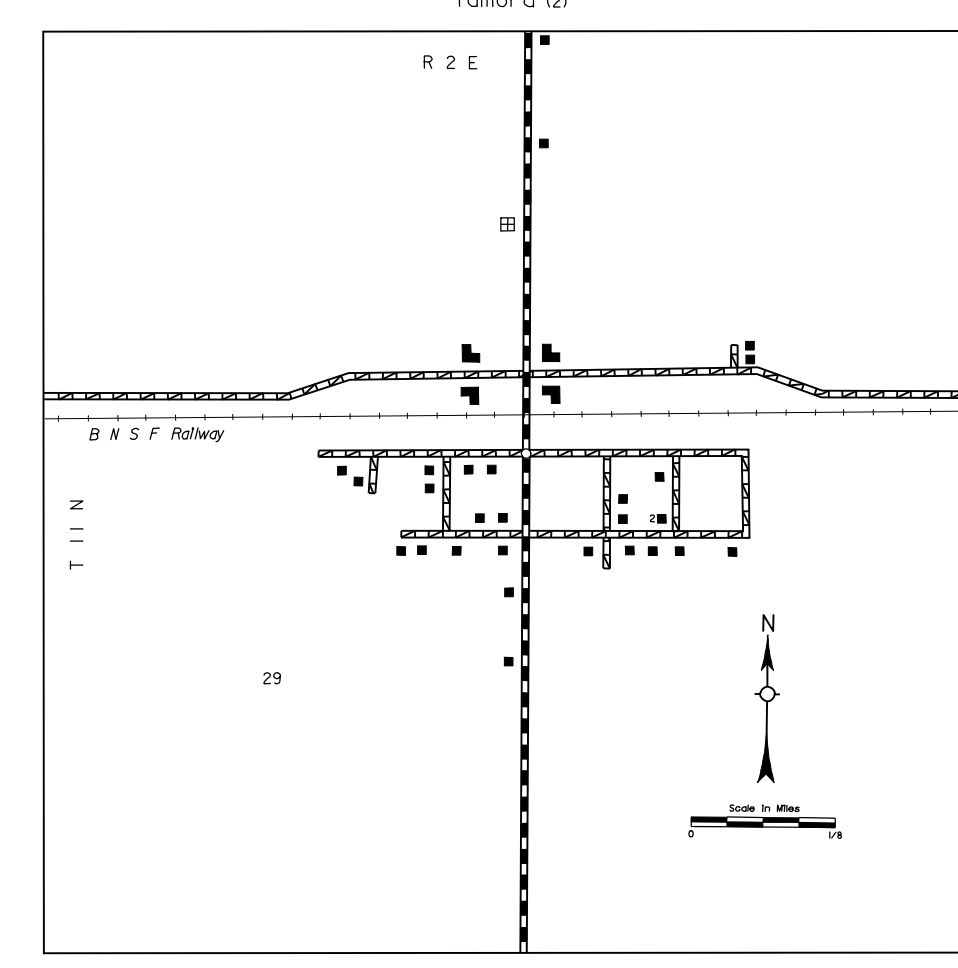
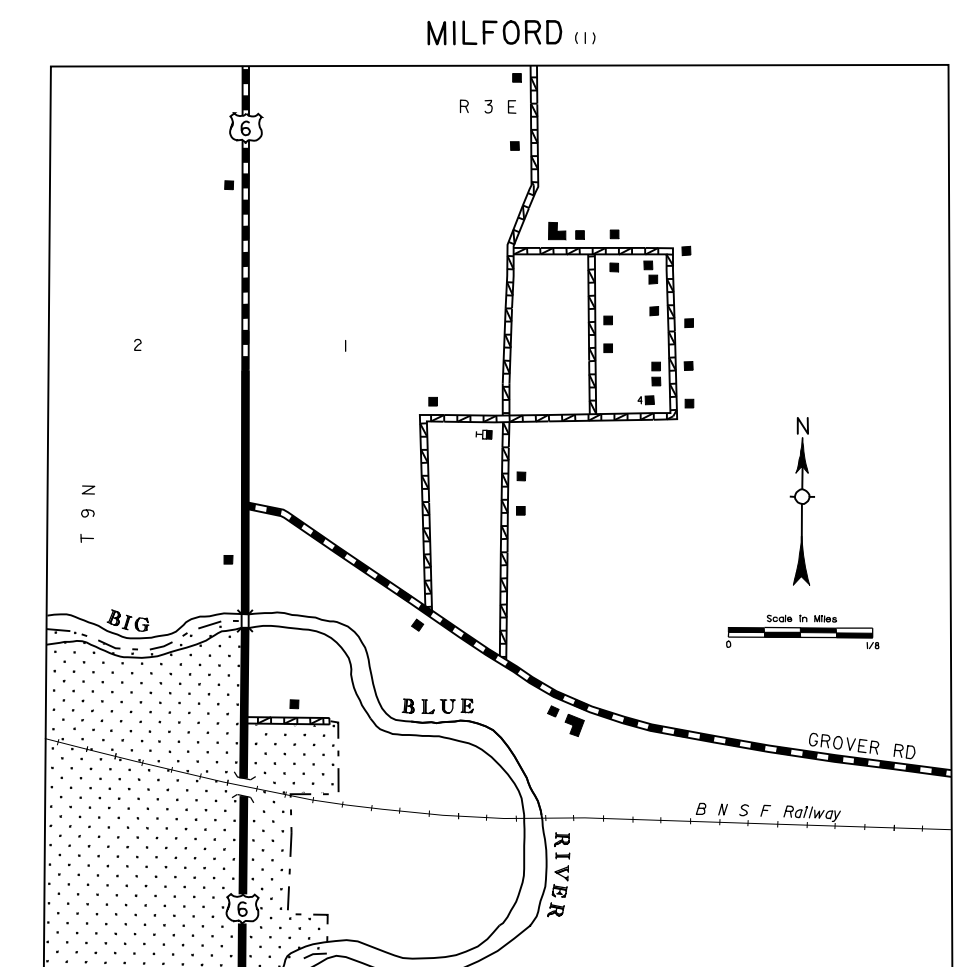
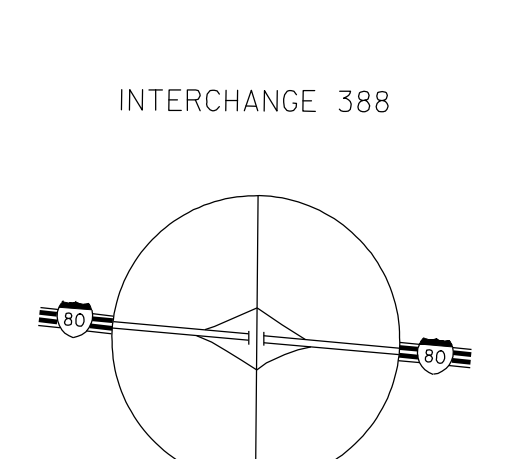
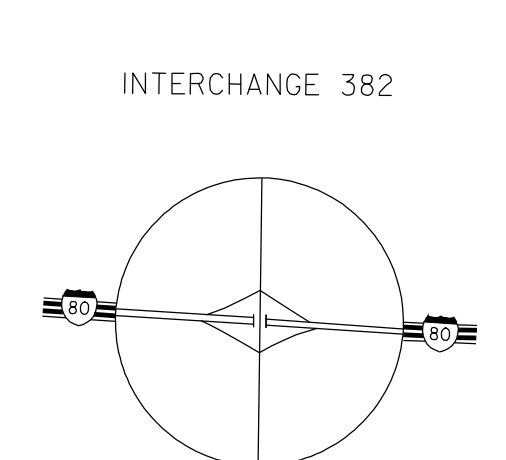
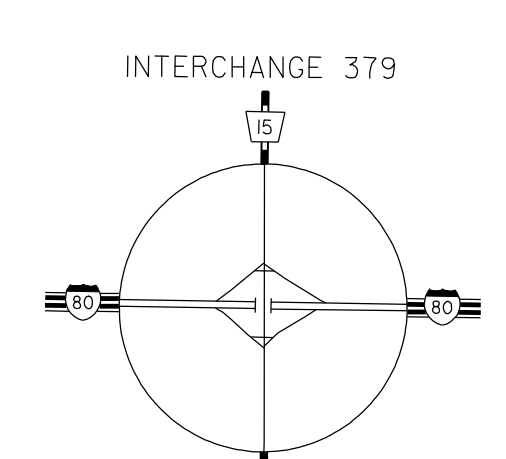
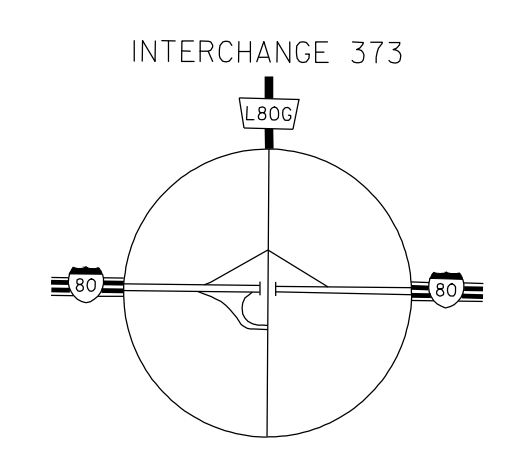
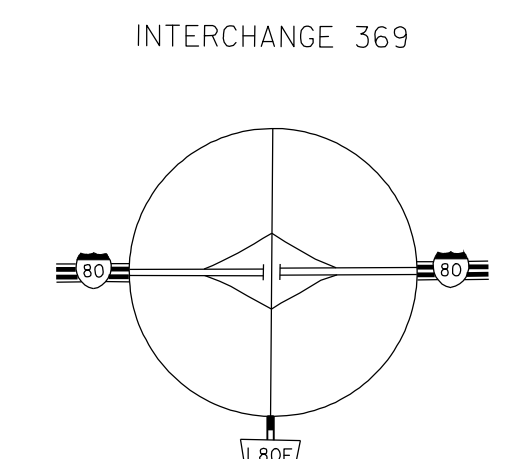
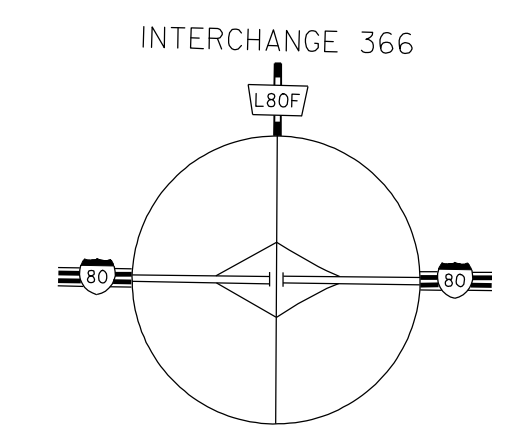


INVENTORY DATE:
2006

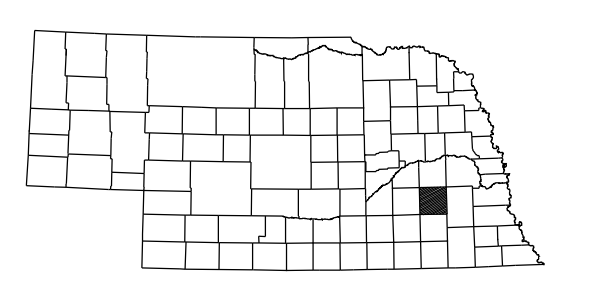
REVISION HISTORY		
NAME	DATE	REVISION
C. Veskrna	2006	COUNTY
L. G. Smith	JUNE 2004	B.I.T. SYSTEM
E. Braun	APR. 2002	Seward Airport

LEGEND

- Primitive Road..... 1551
- Unimproved Road..... 1552
- Gravel or Crushed Rock..... 1553
- Asphalt/Bituminous Surface..... 1554
- Multiple Lane Undivided Highway..... 1555
- Asphalt/Bituminous Surface..... 1556
- Concrete/Brick Surface..... 1557
- Multiple Lane Undivided Highway..... 1558
- Concrete/Brick Surface..... 1559
- Divided Highway..... 1560
- Interstate Highway with Full Control of Access..... 1561
- Side Roads and Streets..... 1562
- 911 NAMED/Numbered Roads..... ADAMS 2030
- Interstate-Numbered Highway..... 1563
- US-Numbered Highway..... 1564
- State-Numbered Highway..... 1565
- State-Numbered Highway Spur..... 1566
- State-Numbered Highway Link..... 1567
- Highway Reference Post Number..... 1568
- Interstate Exit Number..... 1569
- Wide Stream..... 1570
- Narrow Stream..... 1571
- Irrigation Ditch..... 1572
- Reservoir, Pond or Lake..... 1573
- Reservoir, BTH Dam..... 1574
- Highway Bridge-Any Type (over 20' span)..... 1575
- Small Bridges-Closely Spaced..... 1576
- General Bridge (in excess of 20' span)..... 1577
- Arch Bridge..... 1578
- Truss Bridge..... 1579
- Restriction Underpass..... 1580
- Pedestrian Overpass..... 1581
- Railroad Overpass..... 1582
- Railroad Underpass..... 1583
- Dam with Road on Top..... 1584
- Gate Guard..... 1585
- Dwelling..... 1586
- Row of Dwellings..... 1587
- Cemetery..... 1588
- Church or Other Religious Institution..... 1589
- Church with Cemetery Adjacent..... 1590
- Hospital..... 1591
- Business..... 1592
- Industrial Plant..... 1593
- Filling Station..... 1594
- Grain Elevator..... 1595
- Aggregate Pit..... 1596
- Agricultural Experimental Station..... 1597
- Educational Institutions..... 1598
- Public Use Area..... 1599
- Recreation Facilities..... 1600
- Rest Area..... 1601
- Ranger Station..... 1602
- Fish Hatchery..... 1603
- Community Hall..... 1604
- Correctional Institution..... 1605
- Tourist Court or Motel..... 1606
- Monument/Graffiti..... 1607
- Museum..... 1608
- Firestation..... 1609
- Courthouse..... 1610
- Armory..... 1611
- Post Office..... 1612
- Highway Maintenance Yard..... 1613
- Dump Area..... 1614
- Sewage Disposal Plant..... 1615
- Water Supply Stand Pipe..... 1616
- Right Station or Part of Entry..... 1617
- Commercial or Municipal Airport..... 1618
- County Boundary..... 1619
- Township Line..... 1620
- Section Line..... 1621
- Corporate Limit Lines..... 1622
- Parks and Other Reservations..... 1623
- Boundary Limits of Area Shown in Enclosures (see enclosures for details)..... 1624
- State Capital..... 1625
- County Seat..... 1626
- Other Cities and Villages..... 1627
- Incorporated City or Village..... 1628
- Triangulation Station..... 1629
- Points Between Which Distances Are Measured (indicated thus)..... 1630
- Latitude and Longitude..... 1631



LAMBERT CONFORMAL CONIC PROJECTION
1983 NORTH AMERICAN DATUM
NEBRASKA COORDINATE SYSTEM



KEY TO COUNTIES
NDOR makes no warranties, guarantees, or representations for accuracy of this information and assumes no liability for errors or omissions. Please notify the Director if any errors or omissions identified in this data.

POPULATION AS OF 2000 CENSUS
STATE HIGHWAYS CORRECTED TO 2006
DIGITAL AERIAL PHOTOGRAPHY (DOAD)