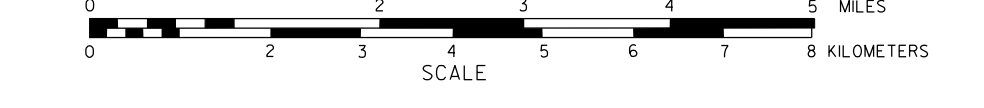


GENERAL HIGHWAY MAP CHEYENNE COUNTY NEBRASKA

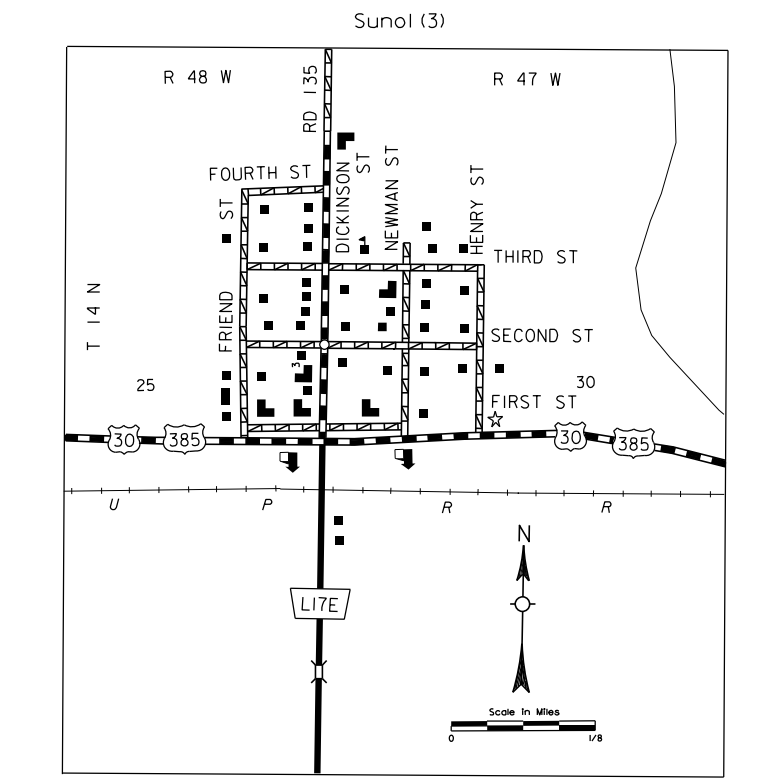
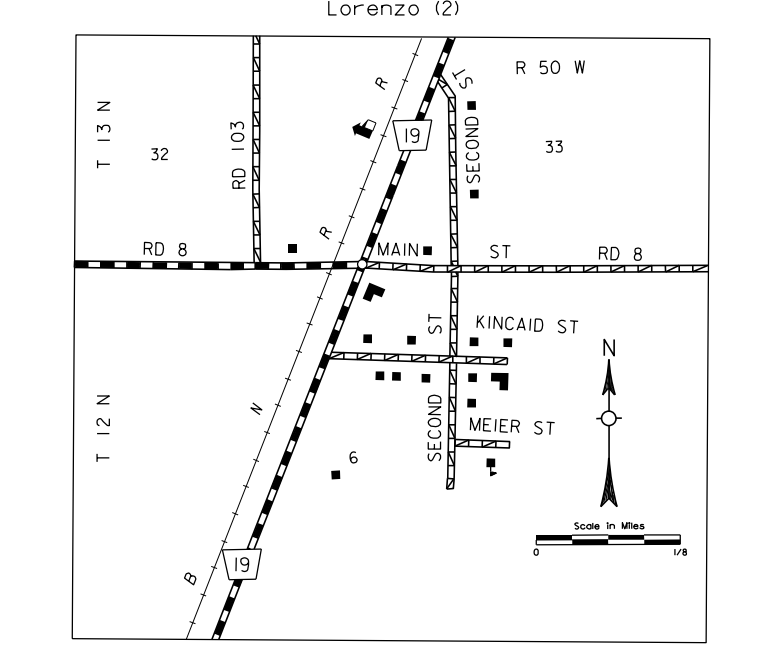
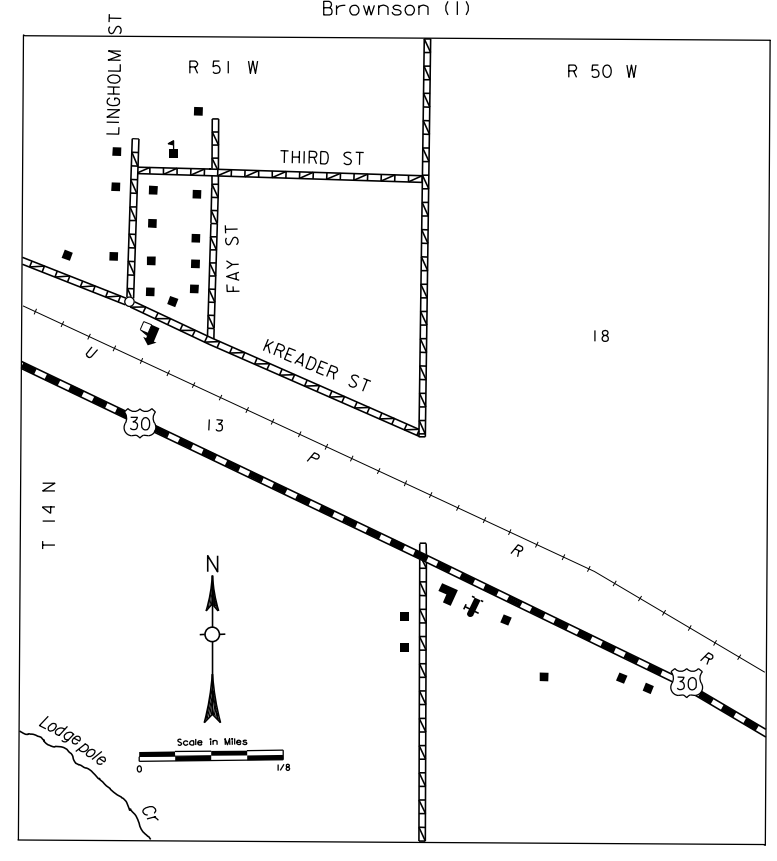
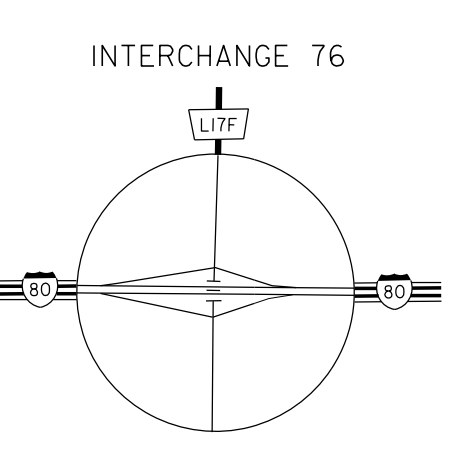
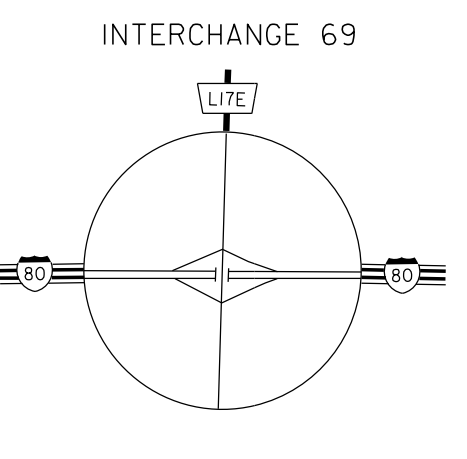
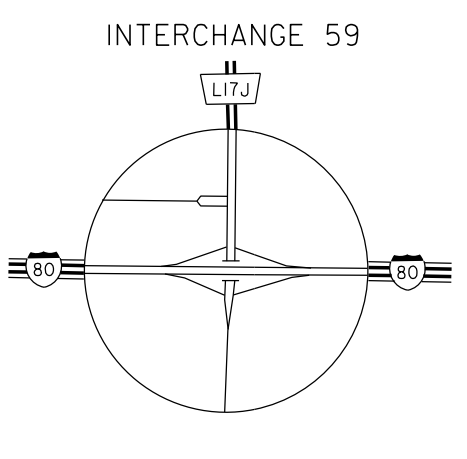
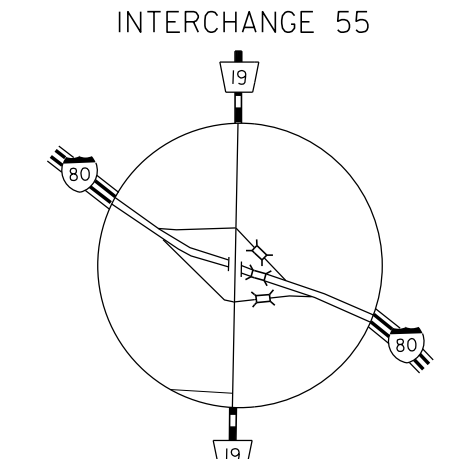
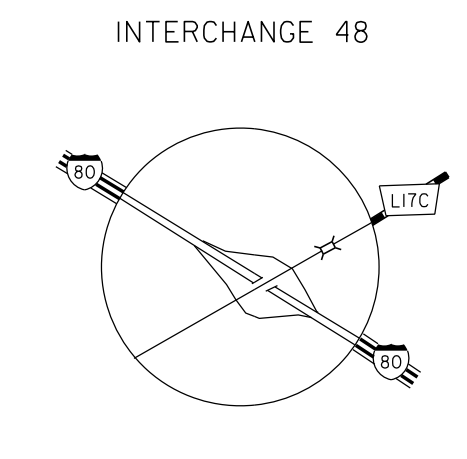
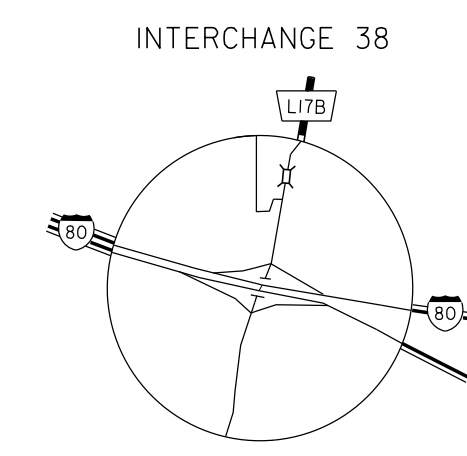
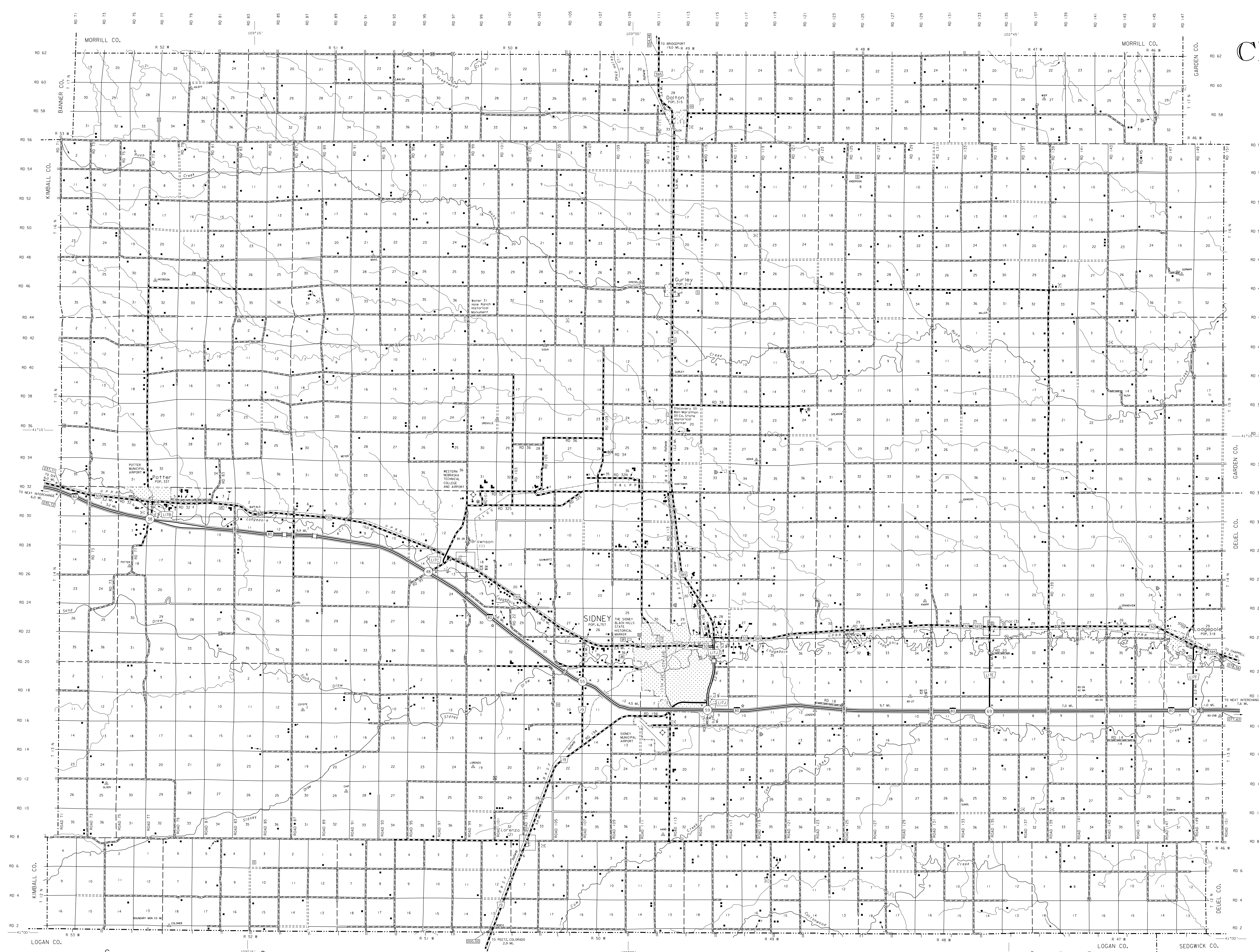
PREPARED BY THE
DEPARTMENT OF ROADS
GIS/MAPPING SECTION
IN COOPERATION WITH THE
U.S. DEPARTMENT OF TRANSPORTATION
FEDERAL HIGHWAY ADMINISTRATION
2016



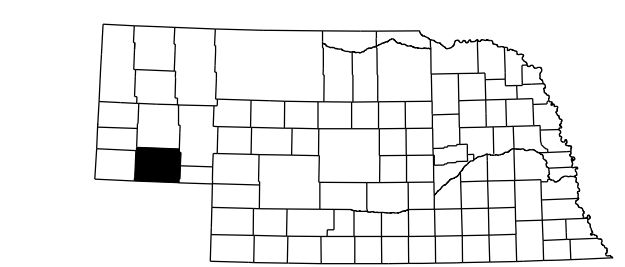
DATE	REVISION HISTORY
FEB. 2008	UPDATE 911 SYSTEM
MAY 2010	REVISED STATE
MARCH 2016	UPDATE COUNTY

LEGEND

- Primitive Road
- Unimproved Road
- Gravel or Crushed Rock
- Asphalt/Bituminous Surface
- Multiple Lane Undivided Highway
- Asphalt/Bituminous Surface
- Concrete/Block Surface
- Multiple Lane Undivided Highway
- Divided Highway
- Interstate Highway with Full Control of Access
- State Roads and Streets
- 911 NAMED/NUMBERED ROADS
- Interstate-Numbered Highway
- US-Numbered Highway
- State-Numbered Highway
- State-Numbered Highway Spur
- State-Numbered Highway Link
- Highway Reference Post Number
- Interstate Exit Number
- Wide Stream
- Narrow Stream
- Irrigation Ditch
- Reservoir, Pond or Lake
- Reservoir, With Dam
- Highway Bridge-Any Type
- Small Bridges-Closely Spaced
- General Bridge
- Arch Bridge
- Truss Bridge
- Pedestrian Overpass
- Railroad Overpass
- Railroad Underpass
- Roadway
- Bar with Road on Top
- Cattle Guard
- Dwelling
- Row of Dwellings
- Cemetery
- Church or Other Religious Institution
- Church with Cemetery Adjacent
- Business
- Industrial Plant
- Filling Station
- Grain Elevator
- Aggregate Pit
- Agricultural Experimental Station
- Educational Institutions
- Public Use Area
- Recreational Facilities
- Rest Area
- Ranger Station
- Fish Hatchery
- Community Hall
- Correctional Institution
- Tourist Court or Motel
- Monument-Small
- Museum
- Firestation
- Courthouse
- Armory
- Post Office
- Highway Maintenance Yard
- Dump Area
- Sewage Disposal Plant
- Water Supply Stand Pipe
- Road or Fly Station
- Weight Station or Port of Entry
- Commercial or Multiple Airport
- Airport with Paved Runways
- State Boundary
- County Boundary
- Township Line
- Corporate Limit Lines
- Parks and Other Reservations
- Boundary Limits of Area Shown in Enlargements (see enlargements for culture)
- State Capital
- County Seat
- Other Cities and Villages
- Incorporated City or Village
- Triangulation Station
- Points Between Which Distances Are Measured Indicated Thus
- Latitude and Longitude



LAMBERT CONFORMAL CONIC PROJECTION
1983 NORTH AMERICAN DATUM
NEBRASKA COORDINATE SYSTEM



KEY TO COUNTIES
This map is to be used for information only and is not intended to show ownership or to be definitive on which road or roads are under Nebraska Law. The Nebraska Department of Roads makes no warranties, guarantees or representations for the accuracy of this information and assumes no liability, negligence or omission. Any inconsistencies should be referred to the source.