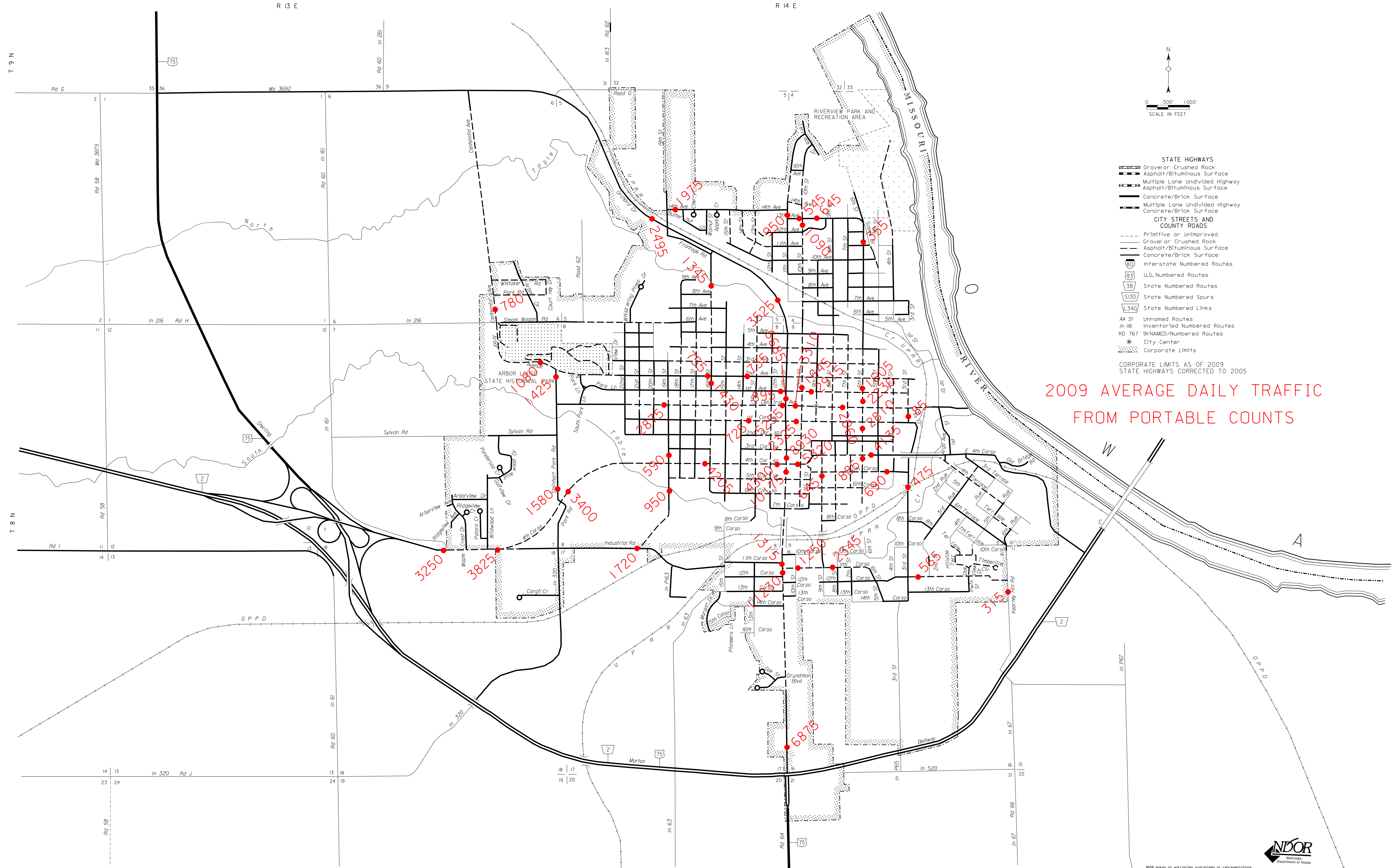
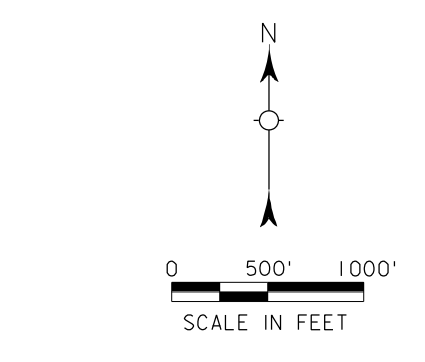


NEBRASKA CITY

OTOE COUNTY
NEBRASKA
POPULATION 7228 (2000 CENSUS)
2009



2009 AVERAGE DAILY TRAFFIC
FROM PORTABLE COUNTS



- STATE HIGHWAYS**
 - Gravel or Crushed Rock
 - Asphalt/Bituminous Surface
 - Multiple Lane Undivided Highway
 - Asphalt/Bituminous Surface
 - Concrete/Brick Surface
 - Multiple Lane Undivided Highway
 - Concrete/Brick Surface
- CITY STREETS AND COUNTY ROADS**
 - Primitive or Unimproved
 - Gravel or Crushed Rock
 - Asphalt/Bituminous Surface
 - Concrete/Brick Surface
- INTERSTATE NUMBERED ROUTES**
 - Interstate Numbered Routes
- U.S. NUMBERED ROUTES**
 - U.S. Numbered Routes
- STATE NUMBERED ROUTES**
 - State Numbered Routes
- STATE NUMBERED SPURS**
 - State Numbered Spurs
- STATE NUMBERED LINKS**
 - State Numbered Links
- UNNAMED ROUTES**
 - Unnamed Routes
- INVENTORIED NUMBERED ROUTES**
 - Inventoried Numbered Routes
- 911 NAMED/NUMBERED ROUTES**
 - 911 NAMED/Numbered Routes
- CITY CENTER**
 - City Center
- CORPORATE LIMITS**
 - Corporate Limits

CORPORATE LIMITS AS OF 2009
STATE HIGHWAYS CORRECTED TO 2005

NDOR makes no warranties, guarantees, or representations for accuracy of this information and assumes no liability for errors or omissions. Please notify the Department of any errors or omissions identified in this data.

