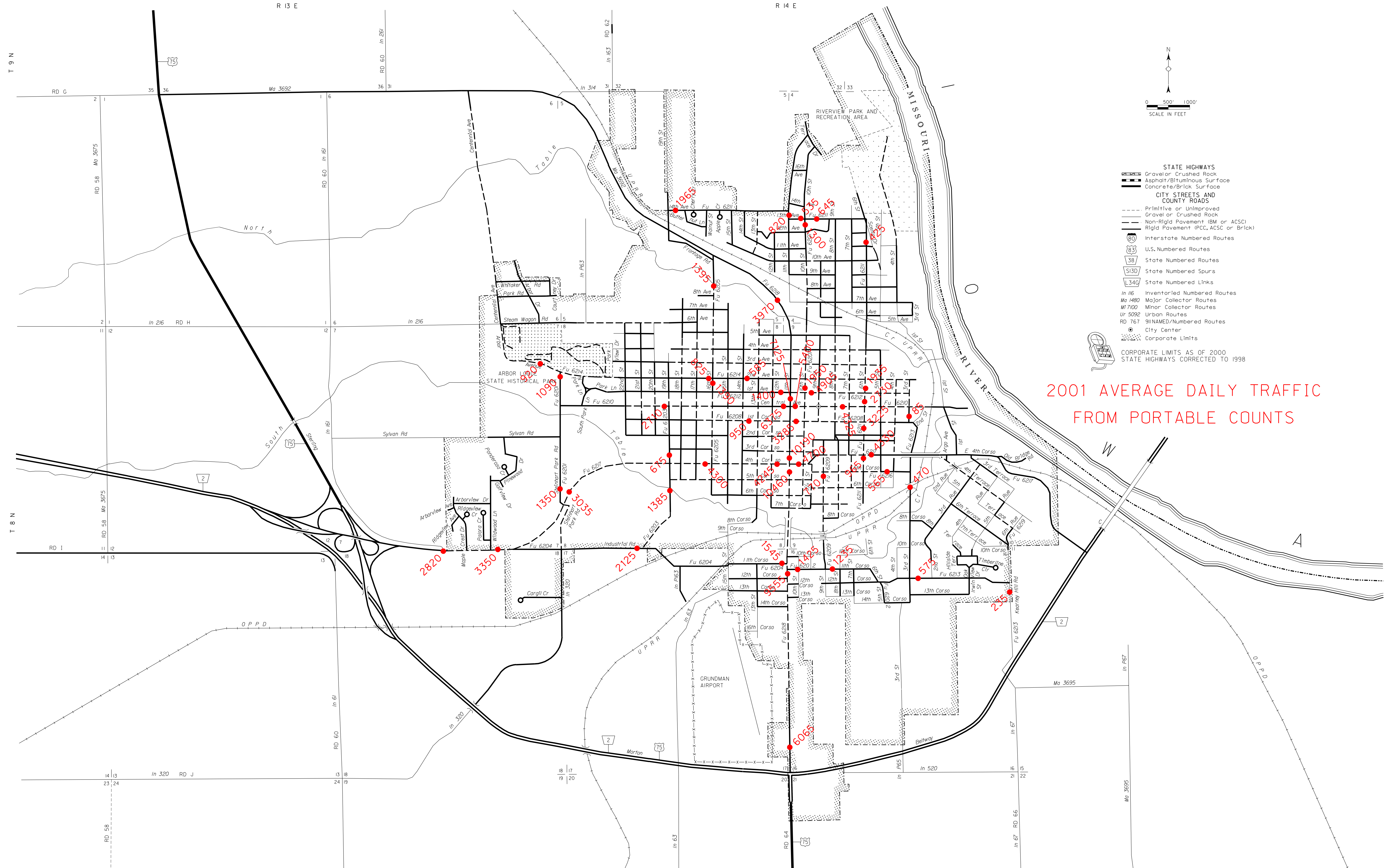
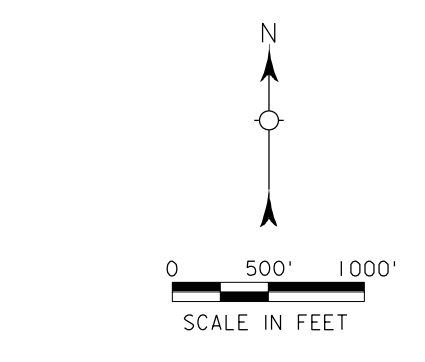


NEBRASKA CITY

OTOE COUNTY
NEBRASKA
POPULATION 7228 (2000 CENSUS)
1998



2001 AVERAGE DAILY TRAFFIC
FROM PORTABLE COUNTS



- STATE HIGHWAYS**
 - Gravel/ Crushed Rock
 - Asphalt/Bituminous Surface
 - Concrete/Brick Surface
 - CITY STREETS AND COUNTY ROADS**
 - Primitive or Unimproved Gravel or Crushed Rock
 - Non-Rigid Pavement (BM or ACSC)
 - Rigid Pavement (PCC, ACSC or Brick)
 - Interstate Numbered Routes
 - U.S. Numbered Routes
 - State Numbered Routes
 - State Numbered Spurs
 - State Numbered Links
 - In 116 Inventoried Numbered Routes
 - Ma 1480 Major Collector Routes
 - Mi 7100 Minor Collector Routes
 - Ur 5092 Urban Routes
 - RD 767 911NAMED/Numbered Routes
 - City Center
 - Corporate Limits
- CORPORATE LIMITS AS OF 2000
STATE HIGHWAYS CORRECTED TO 1998